

Product Information



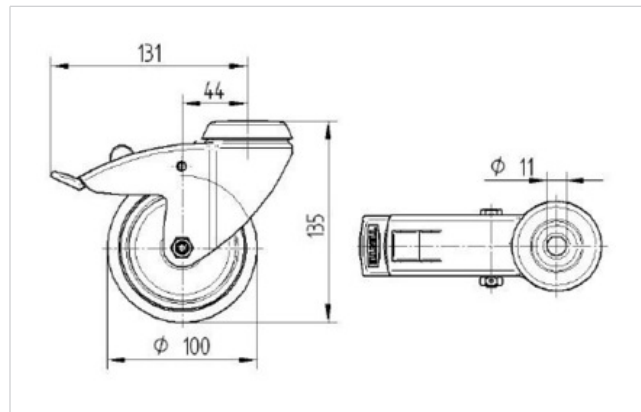
2477PJP100P30-11

EAN 4031582050448

Swivel caster with total lock, trailing end of caster, housing made of pressed steel, bright zinc plated, blue passivated, double ball bearing swivel head, wheel axle with nut. Wheel center made of Polypropylene, Tread: TENTEprene (thermoplastic rubber), grey non-marking, precision ball bearing, with threadguards, bolt hole casters can be mounted with standard screws; various length screws can be used.

Technical Data

Wheel diameter	100 mm
Tread width	32 mm
Center hole	11 mm
Offset	43.5 mm
Swivel Interference	262 mm
Overall height	135 mm
Temperature	- 20 / + 60 °C
Standard	EN 12530
Weight	0.762 kg
Load capacity (dynamic)	100 kg
Load capacity (static)	200 kg
Swivel Radius	131 mm
Hardness of tread	A 87 Shore



Roll performance	+	+	+	+	+
Movement noise	+	+	+	+	+
Attrition	+	+	+	+	+
Corrosion resistance	+	+	+	+	+

Product Information



2477PJP100P30-11

EAN 4031582050448

