

# Product Information



## STP500x80-Ø50 HL90

EAN 4031582322293

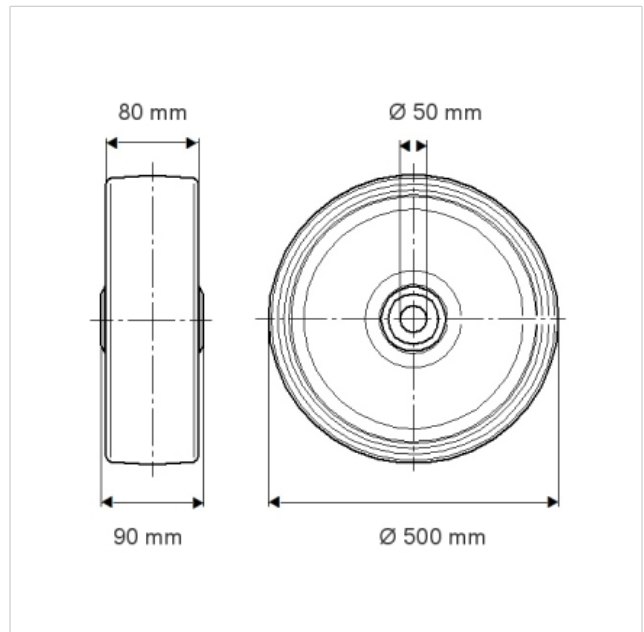
Wheel center made of pressed steel, lacquered, heavy duty, Tread: Polyurethane, casted, precision ball bearing

### Technical Data

Wheel diameter	500 mm
Tread width	80 mm
Axle Hole-Ø	50 mm
Hub length	90 mm
Temperature	- 20 / + 60 °C
Standard	EN 12533
Weight	40.634 kg
Load capacity (dynamic)	3200 kg
Load capacity (static)	6400 kg
Hardness of tread	A 92 Shore



Roll performance	+	+	+	+	+
Movement noise	+	+	+	+	+
Attrition	+	+	+	+	+
Corrosion resistance	+	+	+	+	+



# Product Information



## STP500x80-Ø50 HL90

EAN 4031582322293

