

Product Information



IEP125x50-Ø20

EAN 4031582319682

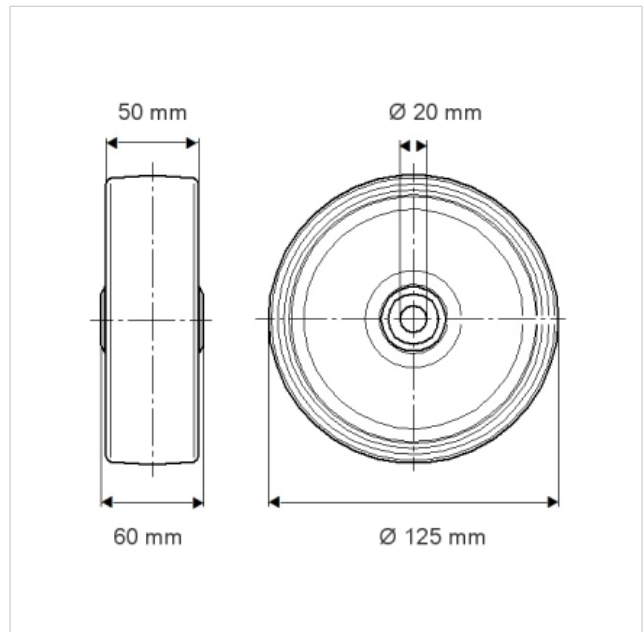
Wheel center made of Aluminum, Tread: black elastic-tire, vulcanized, precision ball bearing

Technical Data

Wheel diameter	125 mm
Tread width	50 mm
Axle Hole-Ø	20 mm
Hub length	60 mm
Temperature	- 20 / + 85 °C
Standard	EN 12532
Weight	0.922 kg
Load capacity (dynamic)	300 kg
Load capacity (static)	600 kg
Hardness of tread	A 67 Shore



Roll performance	+	+	+	+	+
Movement noise	+	+	+	+	+
Attrition	+	+	+	+	+
Corrosion resistance	+	+	+	+	+



Product Information



IEP125x50-Ø20

EAN 4031582319682

