

Product Information



9950STP500P68

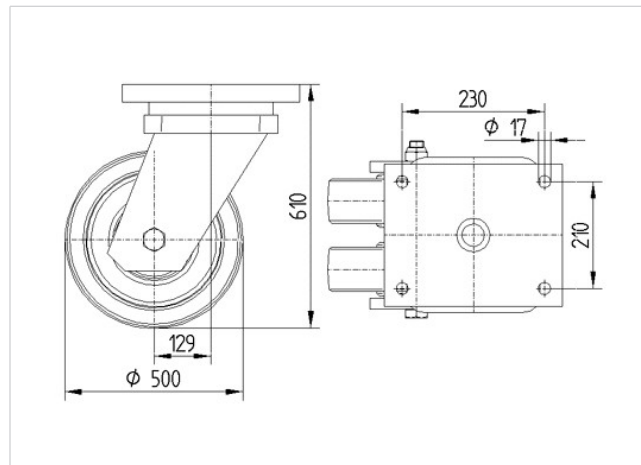
EAN 4031582316858

Swivel caster, housing and plate steel-welded, zinc-chromatised, sealed swivel bearing with dual purpose bearing and tapered roller bearing, threaded king pin and locking nut secured, grease nipple, wheel axle with nut. Wheel center made of pressed steel, lacquered, heavy duty, Tread: Polyurethane, casted, precision ball bearing, plate fitting



Technical Data

| | |
|-------------------------|----------------|
| Wheel diameter | 500 mm |
| Tread width | 80 mm |
| Plate size | 270 x 250 mm |
| Plate hole centers | 230 x 210 mm |
| Plate hole | 17 mm |
| Offset | 130 mm |
| Swivel Interference | 760 mm |
| Overall height | 610 mm |
| Temperature | - 20 / + 60 °C |
| Standard | EN 12533 |
| Weight | 124.955 kg |
| Load capacity (dynamic) | 6000 kg |
| Load capacity (static) | 12000 kg |
| Swivel Radius | 380 mm |
| Hardness of tread | A 92 Shore |



| | | | | | |
|----------------------|---|---|---|---|---|
| Roll performance | + | + | + | + | + |
| Movement noise | + | + | + | + | + |
| Attrition | + | + | + | + | + |
| Corrosion resistance | + | + | + | + | + |

Product Information



9950STP500P68

EAN 4031582316858

