

Product Information



9688FT P200P64

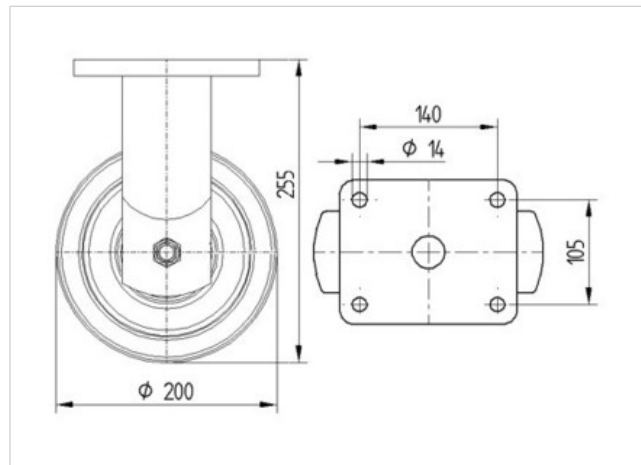
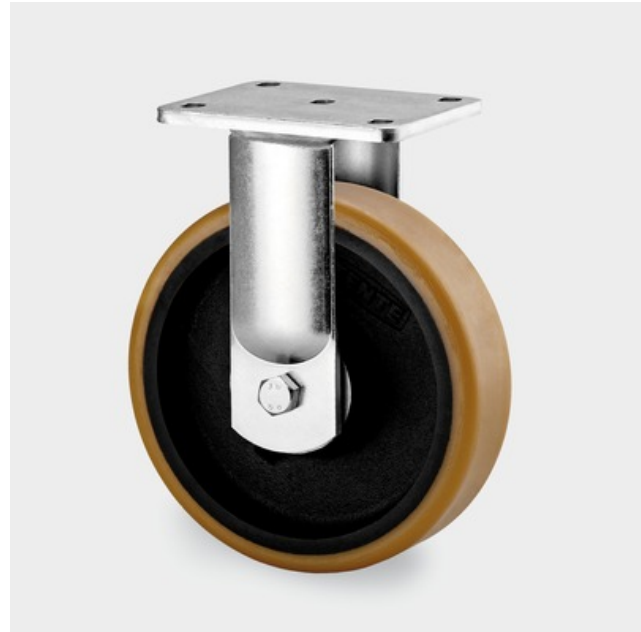
EAN 4031582316230

Fixed caster, Fork and plate steel welded, bright zinc plated, blue passivated, wheel axle with nut, Wheel center made of cast iron, Tread: Polyurethane, casted, precision ball bearing, plate fitting

Technical Data

Wheel diameter	200 mm
Tread width	80 mm
Plate size	175 x 140 mm
Plate hole centers	140 x 105 mm
Plate hole	15 mm
Overall height	255 mm
Temperature	- 20 / + 60 °C
Standard	EN 12533
Weight	12.319 kg
Load capacity (dynamic)	1400 kg
Load capacity (static)	2800 kg
Hardness of tread	A 92 Shore

Roll performance	+	+	+	+	+
Movement noise	+	+	+	+	+
Attrition	+	+	+	+	+
Corrosion resistance	+	+	+	+	+



Product Information



9688FT P200P64

EAN 4031582316230

