

# Product Information



## 9680TOO160P63

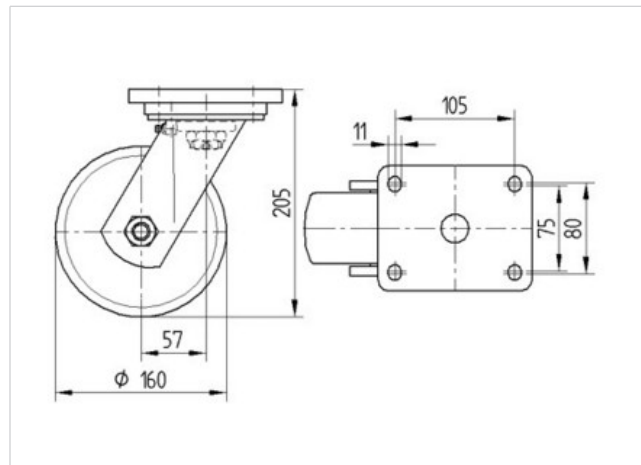
EAN 4031582315264

Swivel caster, housing and plate steel-welded, bright zinc plated, blue passivated, sealed single swivel double ball bearing, threaded king pin and locking nut secured, grease nipple, wheel axle with nut. Wheel center made of Polyamide, heavy duty, plain bearing, plate fitting



### Technical Data

Wheel diameter	160 mm
Tread width	50 mm
Plate size	135 x 110 mm
Plate hole centers	105 x 80/75 mm
Plate hole	11 mm
Offset	58 mm
Swivel Interference	276 mm
Overall height	205 mm
Temperature	- 40 / + 80 °C
Standard	EN 12533
Weight	3.832 kg
Load capacity (dynamic)	850 kg
Load capacity (static)	1700 kg
Swivel Radius	138 mm
Hardness of tread	D 75 Shore



Roll performance	+	+	+	+	+
Movement noise	+	+	+	+	+
Attrition	+	+	+	+	+
Corrosion resistance	+	+	+	+	+

# Product Information



## 9680TOO160P63

EAN 4031582315264

