

Product Information



3476UFP200P67

EAN 4031582305012

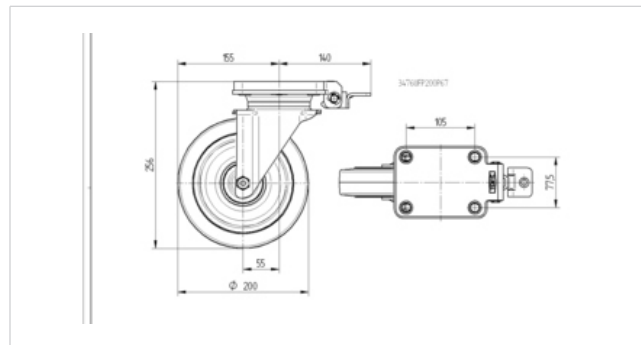
Swivel caster with central lock, housing made of pressed steel, bright zinc plated, blue passivated, double ball bearing swivel head, wheel axle with nut, dustguard. Wheel center made of Polyamide, Tread: elastic-tire, non-marking, precision ball bearing, plate fitting with integrated central lock

Hint: The brake pedal is attached to the mounting plate. The swivel mechanism is independent of the mounting plate. Therefore the brake pedal is always in the same position.



Technical Data

Wheel diameter	200 mm
Tread width	46 mm
Plate size	142 x 110 mm
Plate hole centers	105 x 77,5 mm
Plate hole	13 mm
Offset	55 mm
Swivel Interference	310 mm
Overall height	256 mm
Temperature	- 20 / + 80 °C
Standard	EN 12532
Weight	3.353 kg
Load capacity (dynamic)	300 kg
Load capacity (static)	600 kg
Swivel Radius	155 mm
Hardness of tread	A 74 Shore



Roll performance	+	+	+	+	+
Movement noise	+	+	+	+	+
Attrition	+	+	+	+	+
Corrosion resistance	+	+	+	+	+

Product Information



3476UFP200P67

EAN 4031582305012

