

Product Information



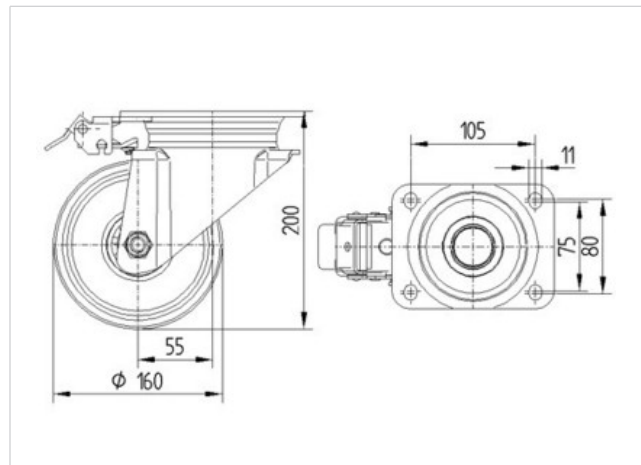
3471PVR160P63

EAN 4031582304824

Swivel caster with directional lock, housing made of pressed steel, bright zinc plated, blue passivated, double ball bearing swivel head, wheel axle with nut, dustguard. Wheel center made of Polypropylene, Tread: solid rubber, black, roller bearing, plate fitting
Hint: This caster can be fitted with a directional lock. However, the lock does not come as standard and has to be ordered as an added option.

Technical Data

Wheel diameter	160 mm
Tread width	40 mm
Plate size	137 x 105 mm
Plate hole centers	105 x 80/75 mm
Plate hole	11 mm
Offset	55 mm
Swivel Interference	270 mm
Overall height	200 mm
Temperature	- 20 / + 60 °C
Standard	EN 12532
Weight	2.035 kg
Load capacity (dynamic)	135 kg
Load capacity (static)	270 kg
Swivel Radius	135 mm
Hardness of tread	A 85 Shore



Roll performance	+	+	+	+	+
Movement noise	+	+	+	+	+
Attrition	+	+	+	+	+
Corrosion resistance	+	+	+	+	+

Product Information



3471PVR160P63

EAN 4031582304824

