

# Product Information



## LEVINA 5387UAC125P30-13

EAN 4031582368918

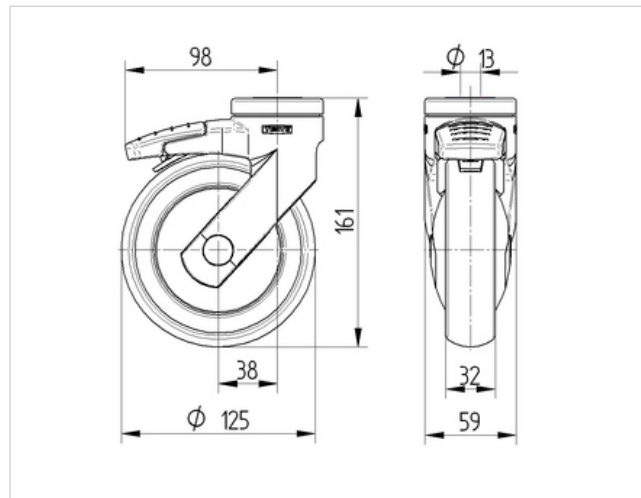
Swivel caster with total lock, trailing end of caster, housing made from high grade synthetic materials with metal parts made of Stainless Steel, double ball bearing swivel head. Wheel center made of Polyamide, Tread: Polyurethane, precision ball bearing, stainless, washable, bolt hole

**Hint:** These casters are available with grey locking lever.

### Technical Data

Wheel diameter	125 mm
Tread width	32 mm
Center hole	13 mm
Offset	38 mm
Swivel Interference	201 mm
Overall height	161 mm
Temperature	- 10 / + 40 °C
Standard	EN 12530
Load capacity (dynamic)	100 kg
Load capacity (static)	200 kg
Swivel Radius	100.5 mm
Hardness of tread	D 40 Shore

Roll performance	+	+	+	+	+
Movement noise	+	+	+	+	+
Attrition	+	+	+	+	+
Corrosion resistance	+	+	+	+	+



**DDC**  
Design Award Winner  
German Designer Club

universal  
design award 09

# Product Information



**LEVINA**

**5387UAC125P30-13**

EAN 4031582368918

