

Product Information



LEVINA

5370UAP125R05-18x62

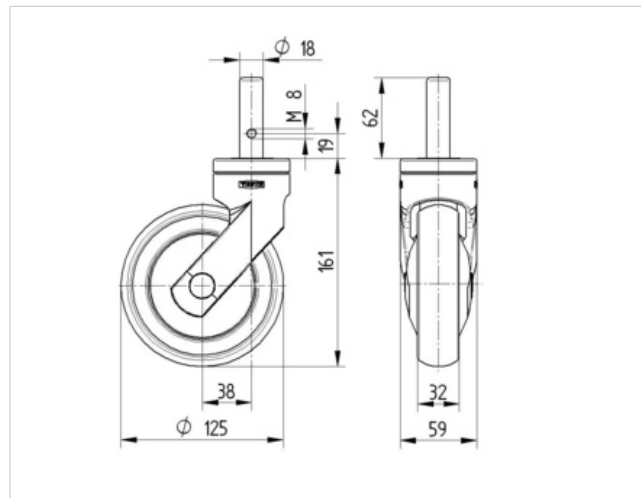
EAN 4031582347791

Swivel caster, housing and wheels made from high grade synthetic materials, double ball bearing swivel head. Wheel center made of Polyamide, Tread: Polyurethane, precision ball bearing, solid plug fitting

Technical Data

Wheel diameter	125 mm
Tread width	32 mm
Bolt-Ø	18 mm
Bolt length	62 mm
Offset	38 mm
Swivel Interference	201 mm
Overall height	161 mm
Temperature	- 10 / + 40 °C
Standard	EN 12530
Weight	0.736 kg
Load capacity (dynamic)	100 kg
Load capacity (static)	200 kg
Swivel Radius	100.5 mm
Hardness of tread	D 40 Shore

Roll performance	+	+	+	+	+
Movement noise	+	+	+	+	+
Attrition	+	+	+	+	+
Corrosion resistance	+	+	+	+	+



DDC
Design Award Winner
German Designer Club

universal
design award 09

Product Information



LEVINA

5370UAP125R05-18x62

EAN 4031582347791

