

Product Information



LEVINA 5380PJC125P51

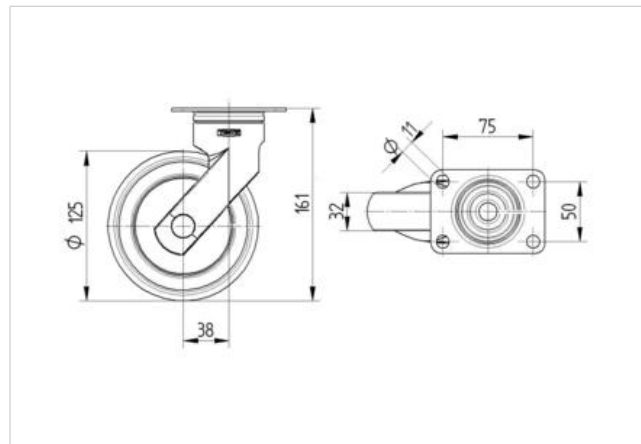
EAN 4031582349054

Swivel caster, housing made from high grade synthetic materials with metal parts made of Stainless Steel, double ball bearing swivel head. Wheel center made of Polypropylene, Tread: TENTEprene (thermoplastic rubber), grey non-marking, with threadguards, precision ball bearing, stainless, plate fitting

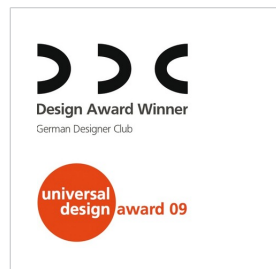


Technical Data

Wheel diameter	125 mm
Tread width	32 mm
Plate size	95 x 70 mm
Plate hole centers	75 x 50 mm
Plate hole	11 mm
Offset	38 mm
Swivel Interference	201 mm
Overall height	165 mm
Temperature	- 10 / + 40 °C
Standard	EN 12530
Weight	0.597 kg
Load capacity (dynamic)	100 kg
Load capacity (static)	200 kg
Swivel Radius	100.5 mm
Hardness of tread	A 87 Shore



Roll performance	+	+	+	+	+
Movement noise	+	+	+	+	+
Attrition	+	+	+	+	+
Corrosion resistance	+	+	+	+	+



Product Information



LEVINA
5380PJC125P51
EAN 4031582349054

