

Product Information



LINEA

5944UAP125R36-34XS S30

EAN 4031582348354

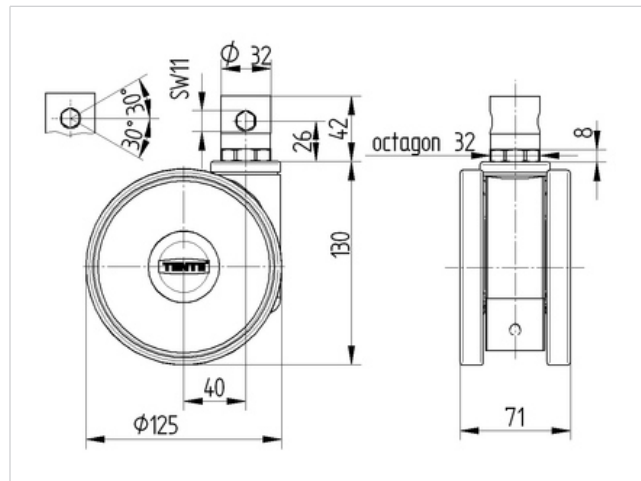
Swivel Caster with central, total or directional lock, housing made of Polyamide, precision ball bearing in swivel head. Wheel center made of Polyamide, Tread: Polyurethane, precision ball bearing, stem with cam hole for profile bars, short version

Hint:TÜV Süd certified product.

Technical Data

Wheel diameter	125 mm
Tread width	15 mm
Caster width	71 mm
Bolt-Ø	32 mm
Bolt length	40 mm
Offset	40 mm
Swivel Interference	205 mm
Overall height	130 mm
Temperature	- 10 / + 40 °C
Standard	EN 12531
Weight	0.846 kg
Load capacity (dynamic)	150 kg
Load capacity (static)	300 kg
Swivel Radius	102.5 mm

Roll performance	+	+	+	+	+
Movement noise	+	+	+	+	+
Attrition	+	+	+	+	+
Corrosion resistance	+	+	+	+	+



DDC
Design Award Winner
German Designer Club

if product design award winner

interzum award intelligent material & design

Product Information



LINEA

5944UAP125R36-34XS S30

EAN 4031582348354

