

# Product Information



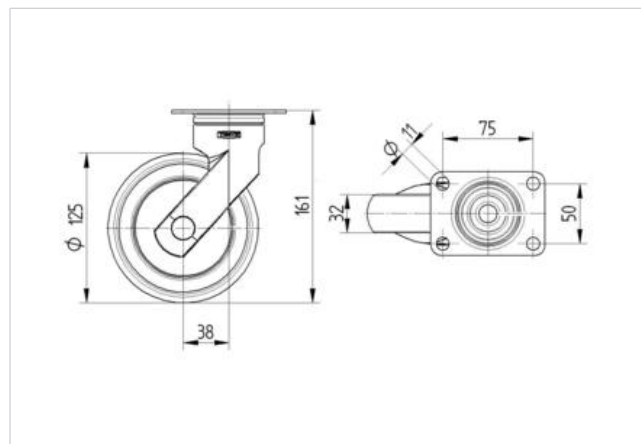
## LEVINA 5370PJP125P51

EAN 4031582347494

Swivel caster, housing and wheels made from high grade synthetic materials, double ball bearing swivel head. Wheel center made of Polypropylene, Tread: TENTEprene (thermoplastic rubber), grey non-marking, precision ball bearing, plate fitting

### Technical Data

Wheel diameter	125 mm
Tread width	32 mm
Plate size	95 x 70 mm
Plate hole centers	75 x 50 mm
Plate hole	11 mm
Offset	38 mm
Swivel Interference	201 mm
Overall height	165 mm
Temperature	- 10 / + 40 °C
Standard	EN 12530
Weight	0.597 kg
Load capacity (dynamic)	100 kg
Load capacity (static)	200 kg
Swivel Radius	100.5 mm
Hardness of tread	A 87 Shore



Roll performance	+	+	+	+	+
Movement noise	+	+	+	+	+
Attrition	+	+	+	+	+
Corrosion resistance	+	+	+	+	+

**DDC**  
Design Award Winner  
German Designer Club

universal  
design award 09

# Product Information



**LEVINA**  
**5370PJP125P51**  
EAN 4031582347494

