

Product Information



LEVINA

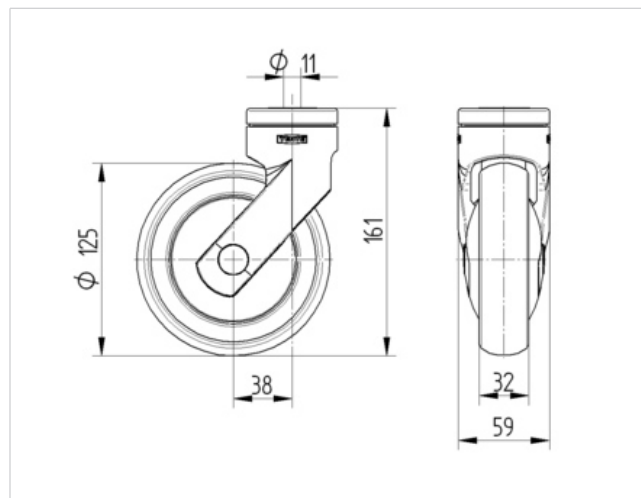
5370PJP125P30-11

EAN 4031582324594

Swivel caster, housing and wheels made from high grade synthetic materials, double ball bearing swivel head. Wheel center made of Polypropylene, Tread: TENTEprene (thermoplastic rubber), grey non-marking, precision ball bearing, bolt hole

Technical Data

Wheel diameter	125 mm
Tread width	32 mm
Center hole	11 mm
Offset	38 mm
Swivel Interference	201 mm
Overall height	161 mm
Temperature	- 10 / + 40 °C
Standard	EN 12530
Weight	0.525 kg
Load capacity (dynamic)	100 kg
Load capacity (static)	200 kg
Swivel Radius	100.5 mm
Hardness of tread	A 87 Shore



Roll performance	+	+	+	+	+
Movement noise	+	+	+	+	+
Attrition	+	+	+	+	+
Corrosion resistance	+	+	+	+	+


Design Award Winner
German Designer Club


universal design award 09

Product Information



LEVINA

5370PJP125P30-11

EAN 4031582324594

