

Product Information



LINEA

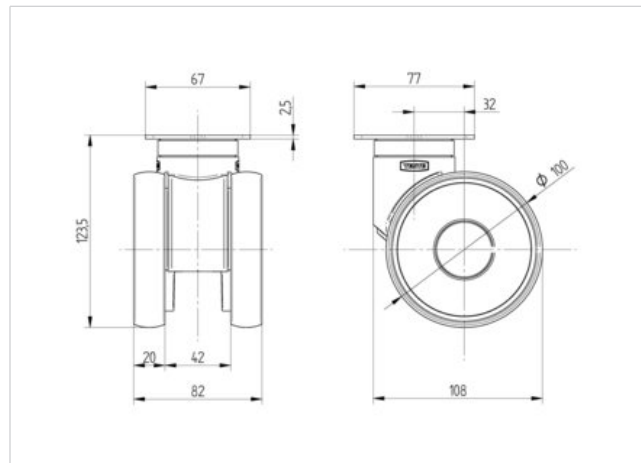
5940UAP100P50 RAL9002

EAN 4031582349467

Swivel caster, housing made of Polyamide, precision ball bearing in swivel head. Wheel center made of Polyamide, Tread: Polyurethane, precision ball bearing, plate fitting

Technical Data

Wheel diameter	100 mm
Tread width	20 mm
Caster width	82 mm
Plate size	77 x 67 mm
Plate hole centers	61,5/56 x 51,5/46,5
Plate hole	11 mm
Dome-Ø	52 mm
Offset	32 mm
Swivel Interference	164 mm
Overall height	124 mm
Temperature	- 10 / + 40 °C
Standard	EN 12530
Weight	0.804 kg
Load capacity (dynamic)	100 kg
Load capacity (static)	200 kg
Swivel Radius	82 mm
Hardness of tread	A 92 Shore



Roll performance	+	+	+	+	+
Movement noise	+	+	+	+	+
Attrition	+	+	+	+	+
Corrosion resistance	+	+	+	+	+

Product Information



LINEA

5940UAP100P50 RAL9002

EAN 4031582349467

