

Product Information



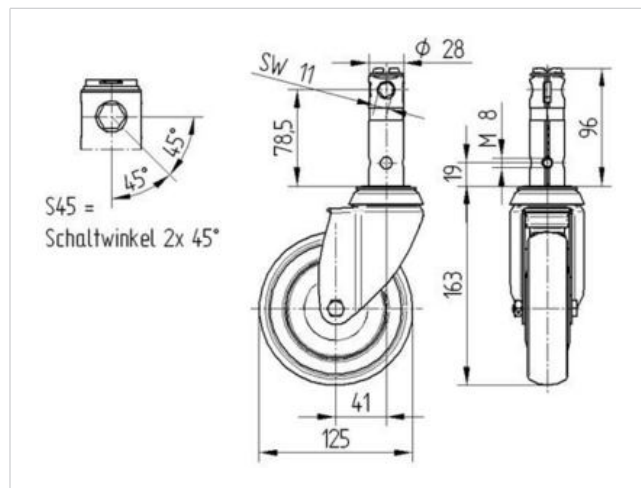
2476YGO125R26-28S45

EAN 4031582342338

Swivel caster with central lock, housing made of pressed steel, bright zinc plated, blue passivated, double ball bearing swivel head, wheel axle with nut. Wheel center made of Polypropylene, electric conductive, Tread: TENTEprene (thermoplastic rubber), grey non-marking, plain bearing, stem with cam hole for profile bars

Technical Data

Wheel diameter	125 mm
Tread width	32 mm
Bolt-Ø	28 mm
Bolt length	96 mm
Offset	41 mm
Swivel Interference	207 mm
Overall height	163 mm
Temperature	- 20 / + 60 °C
Standard	EN 12530
Weight	0.868 kg
Load capacity (dynamic)	100 kg
Load capacity (static)	200 kg
Swivel Radius	103.5 mm
Hardness of tread	A 87 Shore



Roll performance	+	+	+	+	+
Movement noise	+	+	+	+	+
Attrition	+	+	+	+	+
Corrosion resistance	+	+	+	+	+

Product Information



2476YGO125R26-28S45

EAN 4031582342338

