

# Product Information



## INTEGRAL

### 2044XSX125R36-32S30

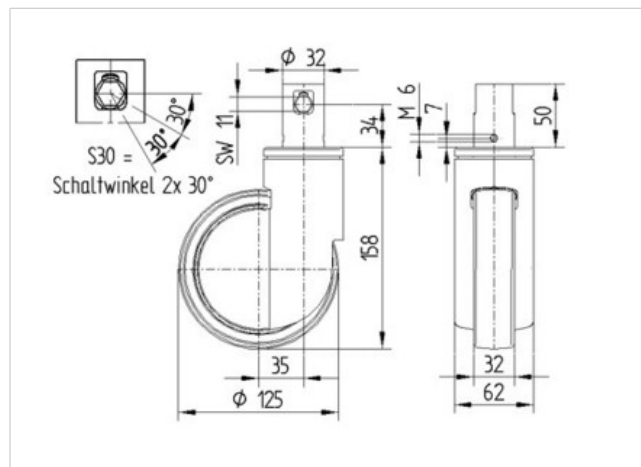
EAN 4031582340808

Swivel Caster with central, total or directional lock, Frame made of pressed steel, precision ball bearing in swivel head and wheel, housing cover made of synthetic plastic. Wheel center made of Polyamide, electric conductive, Tread made of injected Polyurethane, with threadguards, precision ball bearing, sealed., stem with cam hole for profile bars, short version

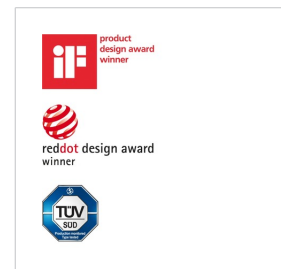
**Hint:**TÜV Süd certified product.Washable casters must be sealed in the fitting area by the hospital bed manufacturer.



Technical Data	
Wheel diameter	125 mm
Tread width	32 mm
Bolt-Ø	32 mm
Bolt length	50 mm
Offset	35 mm
Swivel Interference	195 mm
Overall height	158 mm
Temperature	- 30 / + 80 °C
Standard	EN 12531
Weight	0.998 kg
Load capacity (dynamic)	150 kg
Load capacity (static)	300 kg
Swivel Radius	97.5 mm
Hardness of tread	D 40 Shore



Roll performance	+	+	+	+	+
Movement noise	+	+	+	+	+
Attrition	+	+	+	+	+
Corrosion resistance	+	+	+	+	+



# Product Information



## INTEGRAL

**2044XSX125R36-32S30**

EAN 4031582340808

