

Product Information



2470XSP150R07-Ø21,5-24

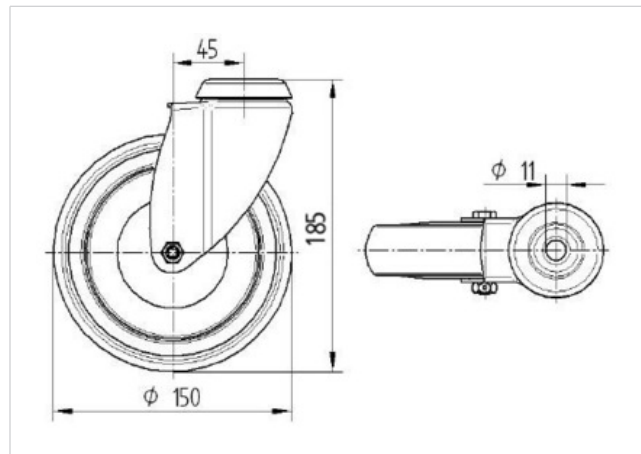
EAN 4031582342161

Swivel caster, housing made of pressed steel, bright zinc plated, blue passivated, double ball bearing swivel head, wheel axle with nut. Wheel center made of Polyamide, electric conductive, tread made of Polyurethane, with threadguards, precision ball bearing, Expandable fittings, round
Please indicate required tube diameter when ordering.

Technical Data

Wheel diameter	150 mm
Tread width	32 mm
Expandable fitting-Ø	21,5 - 24 mm
Offset	45 mm
Swivel Interference	240 mm
Overall height	188 mm
Temperature	- 40 / + 80 °C
Standard	EN 12530
Load capacity (dynamic)	100 kg
Load capacity (static)	200 kg
Swivel Radius	120 mm
Hardness of tread	D 40 Shore

Roll performance	+	+	+	+	+
Movement noise	+	+	+	+	+
Attrition	+	+	+	+	+
Corrosion resistance	+	+	+	+	+



Product Information



2470XSP150R07-Ø21,5-24

EAN 4031582342161

