

Product Information



8478UFX100P62

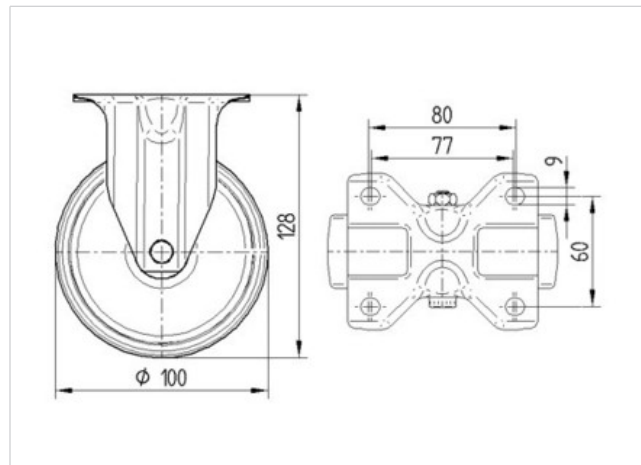
EAN 4031582339390

Fixed caster, Fork made of Stainless Steel, wheel axle with nut, Wheel center made of Polyamide, Tread: elastic-tire, non-marking, with small threadguards, precision ball bearing, sealed, plate fitting

Technical Data

Wheel diameter	100 mm
Tread width	34 mm
Plate size	100 x 85 mm
Plate hole centers	80/77 x 60 mm
Plate hole	9 mm
Overall height	128 mm
Temperature	- 20 / + 80 °C
Standard	EN 12532
Weight	0.568 kg
Load capacity (dynamic)	160 kg
Load capacity (static)	320 kg
Hardness of tread	A 64 Shore

Roll performance	+	+	+	+	+
Movement noise	+	+	+	+	+
Attrition	+	+	+	+	+
Corrosion resistance	+	+	+	+	+



Product Information



8478UFX100P62

EAN 4031582339390

