

Product Information



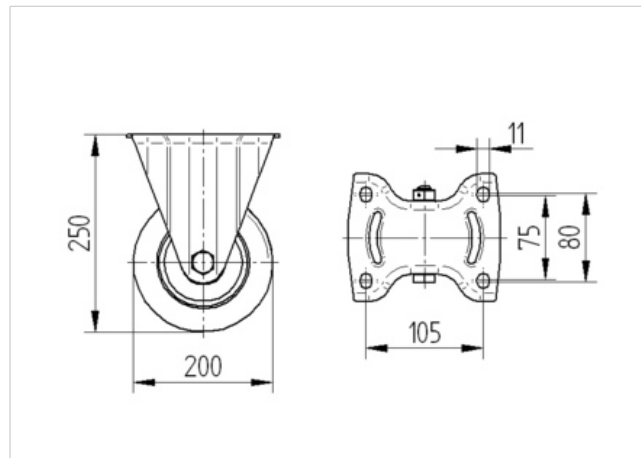
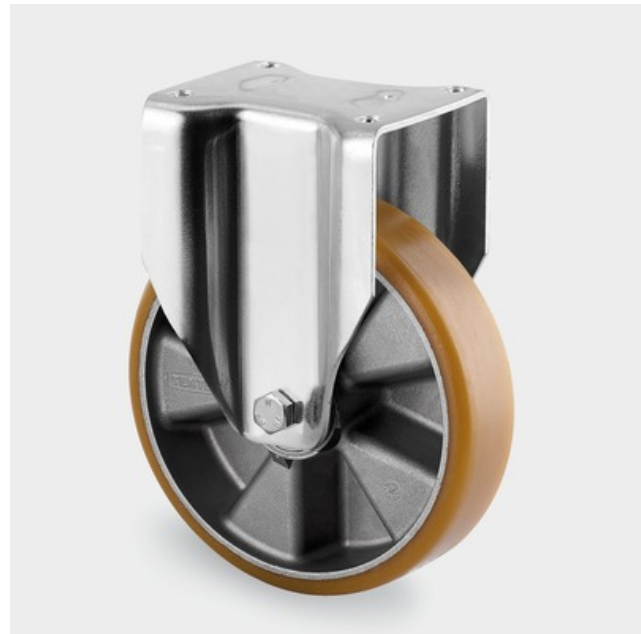
3648ITP200P63 Flat

EAN 4031582337402

Fixed caster, Fork made of heavy pressed steel, bright zinc plated, blue passivated, wheel axle with nut, Wheel center made of Aluminum, Tread: Polyurethane, casted, precision ball bearing, plate fitting

Technical Data

Wheel diameter	200 mm
Tread width	50 mm
Plate size	140 x 110 mm
Plate hole centers	105 x 80/75 mm
Plate hole	11 mm
Overall height	250 mm
Temperature	- 20 / + 60 °C
Standard	EN 12532
Weight	2.934 kg
Load capacity (dynamic)	600 kg
Load capacity (static)	1200 kg
Hardness of tread	A 92 Shore



Roll performance	+	+	+	+	+
Movement noise	+	+	+	+	+
Attrition	+	+	+	+	+
Corrosion resistance	+	+	+	+	+

Product Information



3648ITP200P63 Flat

EAN 4031582337402

