

Product Information



3478UOT125P62

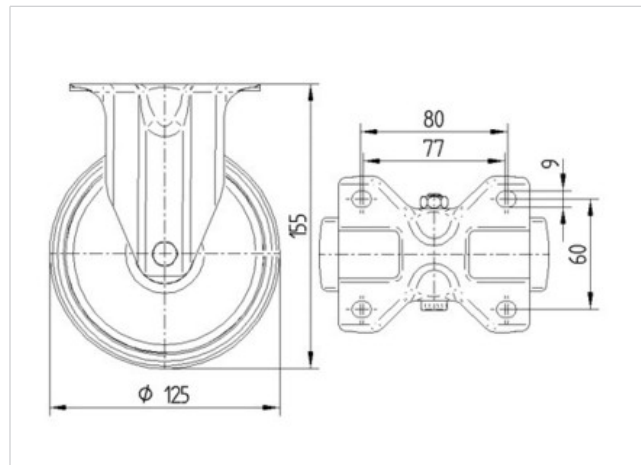
EAN 4031582336917

Fixed caster, Fork made of pressed steel, bright zinc plated, blue passivated, wheel axle with nut, Noise reducing wheel, wheel center made of Polyamide with shock absorbing element made of foamed Polyurethane, with blue threadguards, precision ball bearing, plate fitting



Technical Data

Wheel diameter	125 mm
Tread width	40 mm
Plate size	103 x 85 mm
Plate hole centers	80/77 x 60 mm
Plate hole	9 mm
Overall height	155 mm
Temperature	- 40 / + 80 °C
Standard	EN 12532
Weight	0.724 kg
Load capacity (dynamic)	275 kg
Load capacity (static)	550 kg
Hardness of tread	D 65 Shore



Roll performance	+	+	+	+	+
Movement noise	+	+	+	+	+
Attrition	+	+	+	+	+
Corrosion resistance	+	+	+	+	+

Product Information



3478UOT125P62

EAN 4031582336917

