

# Product Information



## SFP125x50-Ø20

EAN 4031582332186

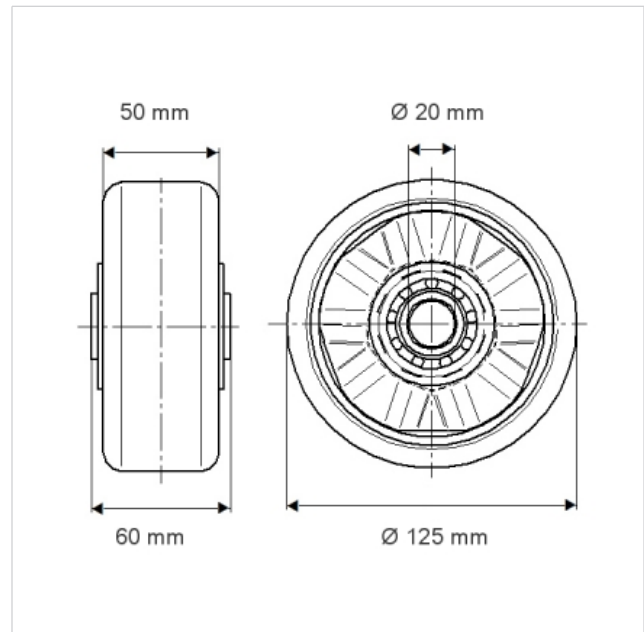
Wheel center made of pressed steel, welded and painted, tread made of vulcanized grey elastic-tire, precision ball bearing

### Technical Data

Wheel diameter	125 mm
Tread width	50 mm
Axle Hole-Ø	20 mm
Hub length	60 mm
Temperature	- 20 / + 85 °C
Standard	EN 12533
Load capacity (dynamic)	300 kg
Load capacity (static)	600 kg
Hardness of tread	A 67 Shore



Roll performance	+	+	+	+	+
Movement noise	+	+	+	+	+
Attrition	+	+	+	+	+
Corrosion resistance	+	+	+	+	+



# Product Information



## SFP125x50-Ø20

EAN 4031582332186

