

# Product Information



## TOP085x65-Ø20 HL65

EAN 4031582331172

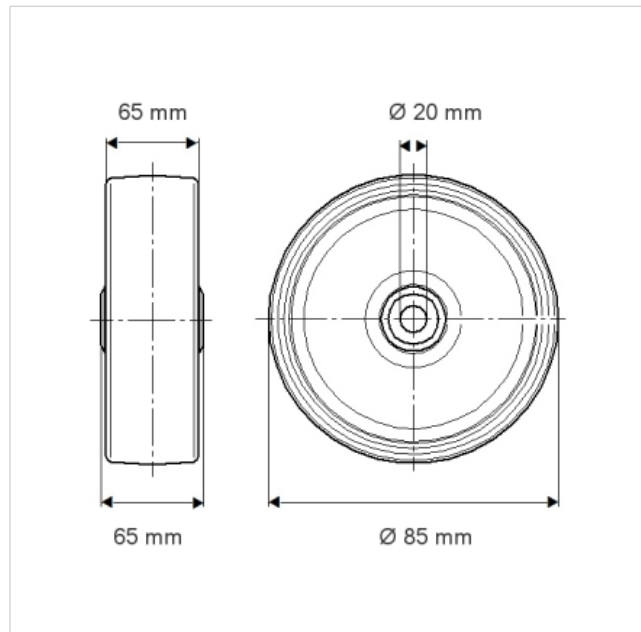
Wheel center made of Polyamide, heavy duty,  
precision ball bearing

Load capacities on a smooth, even surface.

### Technical Data

Wheel diameter	85 mm
Tread width	65 mm
Axle Hole-Ø	20 mm
Hub length	65 mm
Temperature	- 40 / + 80 °C
Weight	0.539 kg
Load capacity (dynamic)	650 kg
Load capacity (static)	1300 kg
Hardness of tread	D 75 Shore
Bearing	6204 No.

Roll performance	+	+	+	+	+
Movement noise	+	+	+	+	+
Attrition	+	+	+	+	+
Corrosion resistance	+	+	+	+	+



# Product Information



## TOP085x65-Ø20 HL65

EAN 4031582331172

