

Product Information



STP300x100-Ø35 HL120

EAN 4031582331127

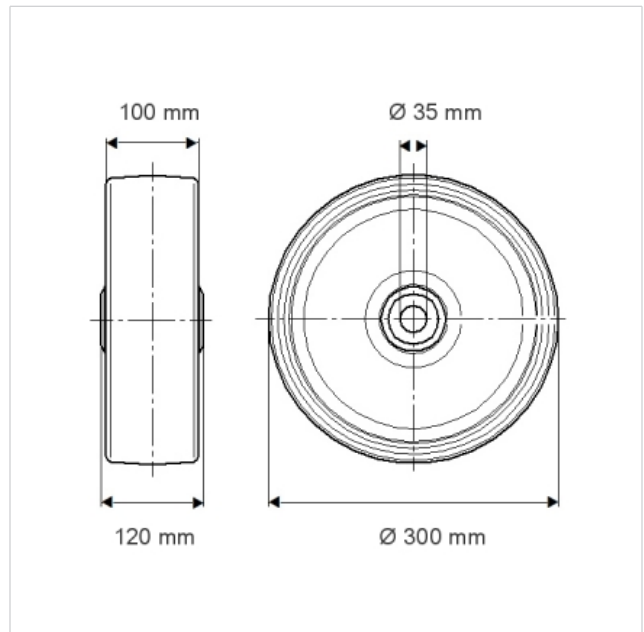
Wheel center made of pressed steel, lacquered, heavy duty, Tread: Polyurethane, casted, precision ball bearing

Technical Data

Wheel diameter	300 mm
Tread width	100 mm
Axle Hole-Ø	35 mm
Hub length	120 mm
Temperature	- 20 / + 60 °C
Standard	EN 12533
Weight	23.118 kg
Load capacity (dynamic)	2600 kg
Load capacity (static)	5200 kg
Hardness of tread	A 92 Shore



Roll performance	+	+	+	+	+
Movement noise	+	+	+	+	+
Attrition	+	+	+	+	+
Corrosion resistance	+	+	+	+	+



Product Information



STP300x100-Ø35 HL120

EAN 4031582331127

