

Product Information



FTP150x50-Ø20 HL50

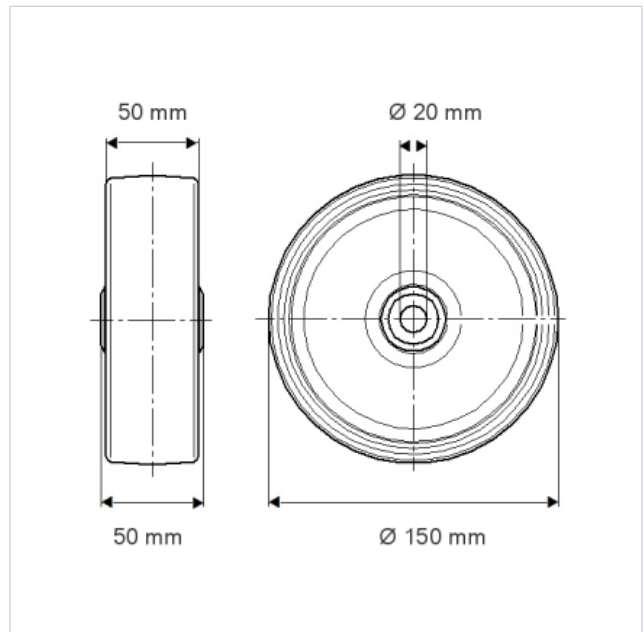
EAN 4031582329438

Wheel center made of cast iron, Tread: Polyurethane, casted, precision ball bearing

Technical Data

Wheel diameter	150 mm
Tread width	50 mm
Axle Hole-Ø	20 mm
Hub length	50 mm
Temperature	- 20 / + 60 °C
Standard	EN 12533
Load capacity (dynamic)	700 kg
Load capacity (static)	1400 kg
Hardness of tread	A 92 Shore

Roll performance	+	+	+	+	+
Movement noise	+	+	+	+	+
Attrition	+	+	+	+	+
Corrosion resistance	+	+	+	+	+



Product Information



FTP150x50-Ø20 HL50

EAN 4031582329438

