

Product Information



3641IEP125P63

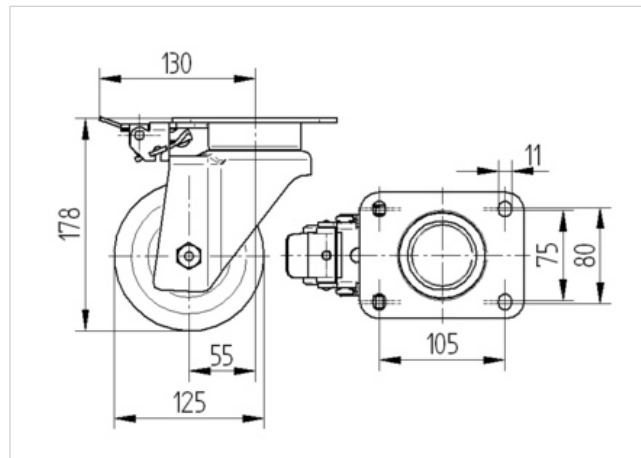
EAN 4031582337235

Swivel caster with directional lock, housing made of heavy pressed steel, bright zinc plated, blue passivated, precision ball bearing swivel head, sealed, wheel axle with nut. Wheel center made of Aluminum, Tread: black elastic-tire, vulcanized, precision ball bearing, plate fitting

Hint: This caster can be fitted with a directional lock. However, the lock does not come as standard and has to be ordered as an added option.

Technical Data

Wheel diameter	125 mm
Tread width	50 mm
Plate size	137 x 105 mm
Plate hole centers	105 x 80/75 mm
Plate hole	11 mm
Offset	55 mm
Swivel Interference	310 mm
Overall height	178 mm
Temperature	- 20 / + 85 °C
Standard	EN 12532
Weight	3.019 kg
Load capacity (dynamic)	300 kg
Load capacity (static)	600 kg
Hardness of tread	A 67 Shore



Roll performance	+	+	+	+	+
Movement noise	+	+	+	+	+
Attrition	+	+	+	+	+
Corrosion resistance	+	+	+	+	+

Product Information



3641IEP125P63

EAN 4031582337235

