

Product Information



3640IEP125P63

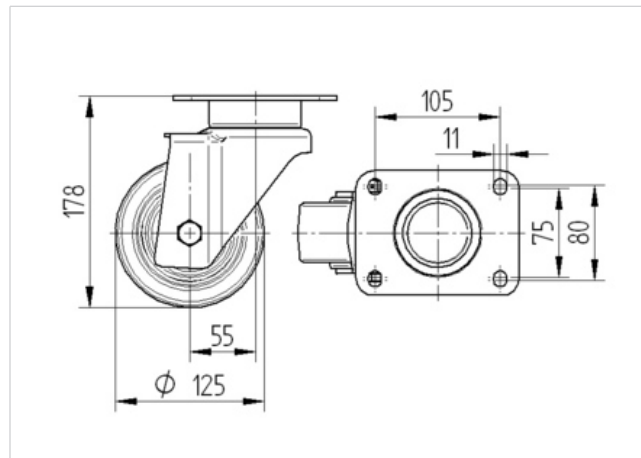
EAN 4031582337143

Swivel caster, housing made of heavy pressed steel, bright zinc plated, blue passivated, precision ball bearing swivel head, sealed, wheel axle with nut. Wheel center made of Aluminum, Tread: black elastic-tire, vulcanized, precision ball bearing, plate fitting



Technical Data

Wheel diameter	125 mm
Tread width	50 mm
Plate size	137 x 105 mm
Plate hole centers	105 x 80/75 mm
Plate hole	11 mm
Offset	55 mm
Swivel Interference	235 mm
Overall height	178 mm
Temperature	- 20 / + 85 °C
Standard	EN 12532
Weight	3.059 kg
Load capacity (dynamic)	300 kg
Load capacity (static)	600 kg
Swivel Radius	117.5 mm
Hardness of tread	A 67 Shore



Roll performance	+	+	+	+	+
Movement noise	+	+	+	+	+
Attrition	+	+	+	+	+
Corrosion resistance	+	+	+	+	+

Product Information



3640IEP125P63

EAN 4031582337143

