

# Product Information



## 3470UOT125P62

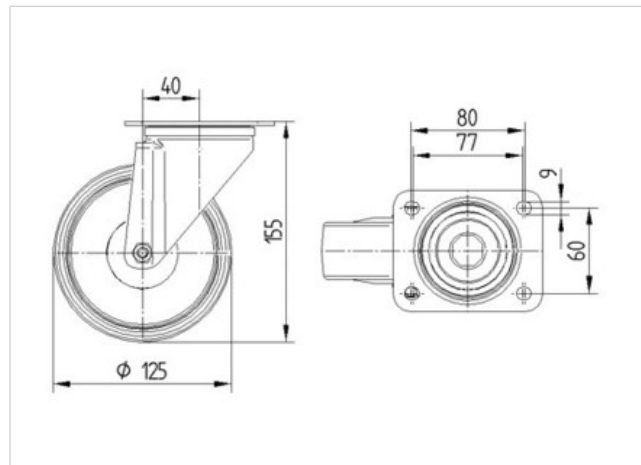
EAN 4031582336894

Swivel caster, housing made of pressed steel, bright zinc plated, blue passivated, double ball bearing swivel head, wheel axle with nut, dustguard. Noise reducing wheel, wheel center made of Polyamide with shock absorbing element made of foamed Polyurethane, with blue threadguards, precision ball bearing, plate fitting



### Technical Data

Wheel diameter	125 mm
Tread width	40 mm
Plate size	105 x 85 mm
Plate hole centers	80/77 x 60 mm
Plate hole	9 mm
Offset	40 mm
Swivel Interference	205 mm
Overall height	155 mm
Temperature	- 40 / + 80 °C
Standard	EN 12532
Weight	1.025 kg
Load capacity (dynamic)	275 kg
Load capacity (static)	550 kg
Swivel Radius	102.5 mm
Hardness of tread	D 65 Shore



Roll performance	+	+	+	+	+
Movement noise	+	+	+	+	+
Attrition	+	+	+	+	+
Corrosion resistance	+	+	+	+	+

# Product Information



## 3470UOT125P62

EAN 4031582336894

