

Product Information



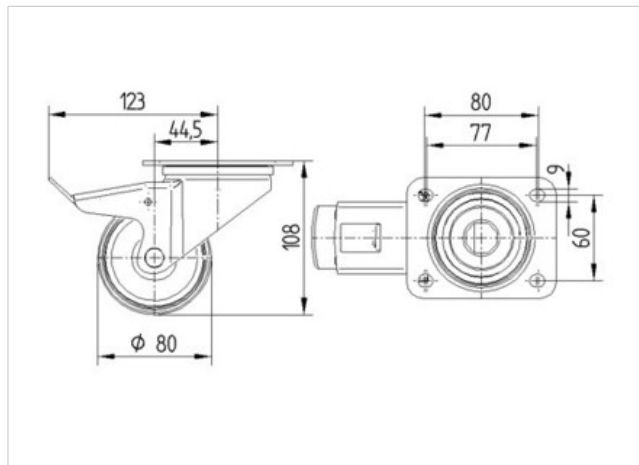
3477PVO080P62

EAN 4031582305586

Swivel caster with total lock, trailing end of caster, housing made of pressed steel, bright zinc plated, blue passivated, double ball bearing swivel head, wheel axle with nut, dustguard. Wheel center made of Polypropylene, Tread: solid rubber, black, plain bearing, plate fitting

Technical Data

Wheel diameter	80 mm
Tread width	35 mm
Plate size	105 x 85 mm
Plate hole centers	80/77 x 60 mm
Plate hole	9 mm
Offset	44.5 mm
Swivel Interference	246 mm
Overall height	108 mm
Temperature	- 20 / + 60 °C
Standard	EN 12532
Weight	0.919 kg
Load capacity (dynamic)	70 kg
Load capacity (static)	140 kg
Swivel Radius	123 mm
Hardness of tread	A 85 Shore



Roll performance	+	+	+	+	+
Movement noise	+	+	+	+	+
Attrition	+	+	+	+	+
Corrosion resistance	+	+	+	+	+

Product Information



3477PVO080P62

EAN 4031582305586

