

Product Information



3478PVO080P62

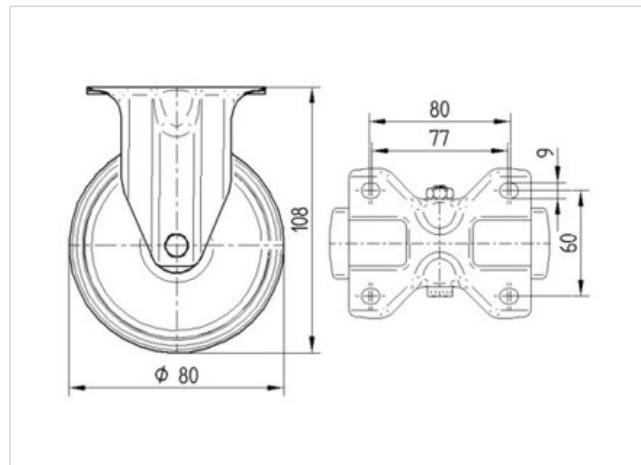
EAN 4031582306699

Fixed caster, Fork made of pressed steel, bright zinc plated, blue passivated, wheel axle with nut, Wheel center made of Polypropylene, Tread: solid rubber, black, plain bearing, plate fitting

Technical Data

Wheel diameter	80 mm
Tread width	35 mm
Plate size	103 x 85 mm
Plate hole centers	80/77 x 60 mm
Plate hole	9 mm
Overall height	108 mm
Temperature	- 20 / + 60 °C
Standard	EN 12532
Weight	0.446 kg
Load capacity (dynamic)	70 kg
Load capacity (static)	140 kg
Hardness of tread	A 85 Shore

Roll performance	+	+	+	+	+
Movement noise	+	+	+	+	+
Attrition	+	+	+	+	+
Corrosion resistance	+	+	+	+	+



Product Information



3478PVO080P62

EAN 4031582306699

