

Product Information



ETP082x76-Ø20 HL83

EAN 4031582318722

Wheel center made of steel, Tread: Polyurethane, casted, precision ball bearing.

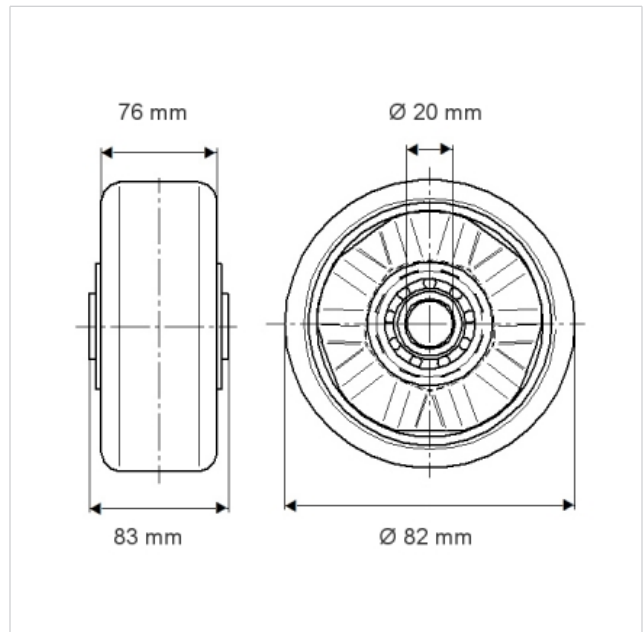
Load capacities on a smooth, even surface.

Technical Data

Wheel diameter	82 mm
Tread width	76 mm
Axle Hole-Ø	20 mm
Hub length	83 mm
Temperature	- 20 / + 60 °C
Load capacity (dynamic)	700 kg
Load capacity (static)	1400 kg
Hardness of tread	A 92 Shore
Bearing	6204ZV No.



Roll performance	+	+	+	+	+
Movement noise	+	+	+	+	+
Attrition	+	+	+	+	+
Corrosion resistance	+	+	+	+	+



Product Information



ETP082x76-Ø20 HL83

EAN 4031582318722

