

# Product Information



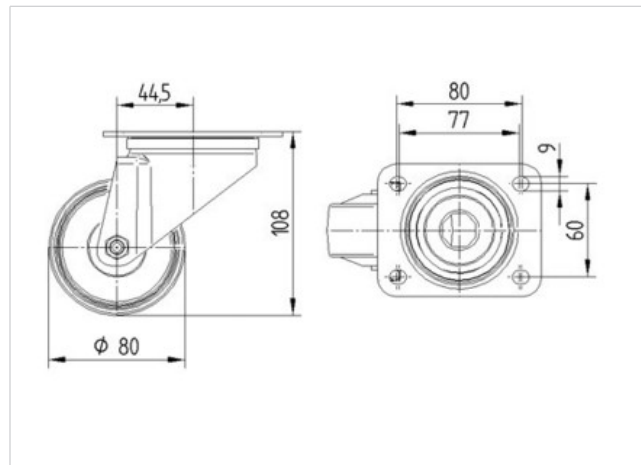
## 3470PVO080P62

EAN 4031582304091

Swivel caster, housing made of pressed steel, bright zinc plated, blue passivated, double ball bearing swivel head, wheel axle with nut, dustguard. Wheel center made of Polypropylene, Tread: solid rubber, black, plain bearing, plate fitting



Technical Data	
Wheel diameter	80 mm
Tread width	35 mm
Plate size	105 x 85 mm
Plate hole centers	80/77 x 60 mm
Plate hole	9 mm
Offset	44.5 mm
Swivel Interference	169 mm
Overall height	108 mm
Temperature	- 20 / + 60 °C
Standard	EN 12532
Weight	0.746 kg
Load capacity (dynamic)	70 kg
Load capacity (static)	140 kg
Swivel Radius	84.5 mm
Hardness of tread	A 85 Shore



Roll performance	+	+	+	+	+
Movement noise	+	+	+	+	+
Attrition	+	+	+	+	+
Corrosion resistance	+	+	+	+	+

# Product Information



## 3470PVO080P62

EAN 4031582304091

