

Product Information



SMILES

5520PJI050L51-10 BEAR, Blue

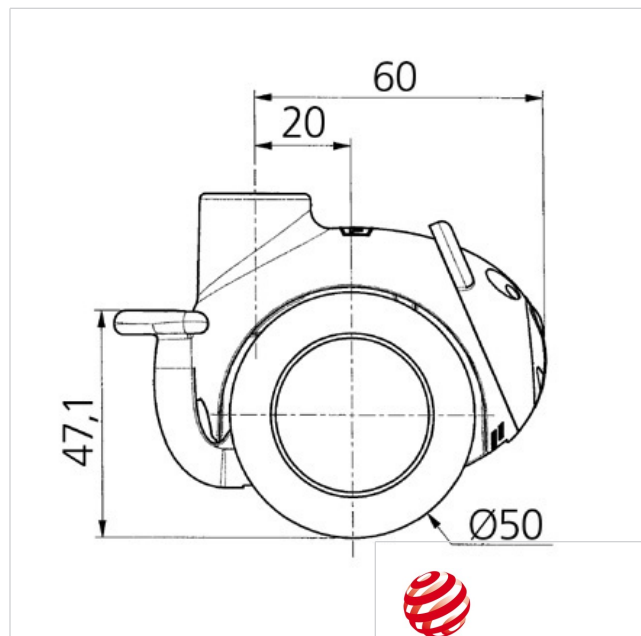
EAN 4031582335644

Swivel caster, housing made of Polyamide. Wheel center made of Polypropylene, Tread: TENTEprene (thermoplastic rubber), grey non-marking, plain bearing, with blind hole for furniture fittings

Technical Data

Wheel diameter	50 mm
Tread width	8,5 mm
Caster width	54.3 mm
Center hole	10 mm
Dome-Ø	23 mm
Offset	20 mm
Swivel Interference	120 mm
Overall height	71.5 mm
Temperature	- 10 / + 40 °C
Standard	EN 12528
Weight	0.1 kg
Load capacity (dynamic)	40 kg
Load capacity (static)	80 kg
Swivel Radius	60 mm
Hardness of tread	A 87 Shore

Roll performance	+	+	+	+	+
Movement noise	+	+	+	+	+
Attrition	+	+	+	+	+
Corrosion resistance	+	+	+	+	+



reddot design award
winner

Product Information



SMILES

5520PJI050L51-10 BEAR, Blue

EAN 4031582335644

