

Product Information



3360POJ108P62

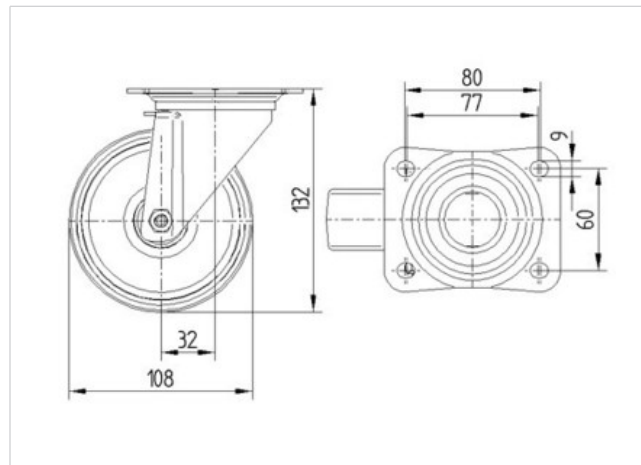
EAN 4031582302974

Swivel caster, housing made of pressed steel, bright zinc plated, blue passivated, double ball bearing swivel head, wheel axle with nut, dustguard. Wheel center made of Polypropylene, with threadguard, roller bearing, plate fitting

Technical Data

Wheel diameter	108 mm
Tread width	36 mm
Plate size	105 x 85 mm
Plate hole centers	80/77 x 60 mm
Plate hole	9 mm
Offset	32 mm
Swivel Interference	172 mm
Overall height	132 mm
Temperature	- 20 / + 60 °C
Standard	EN 12532
Weight	0.582 kg
Load capacity (dynamic)	150 kg
Load capacity (static)	300 kg
Swivel Radius	86 mm
Hardness of tread	D 65 Shore

Roll performance	+	+	+	+	+
Movement noise	+	+	+	+	+
Attrition	+	+	+	+	+
Corrosion resistance	+	+	+	+	+



Product Information



3360POJ108P62

EAN 4031582302974

