

Product Information



2340PJP125P30

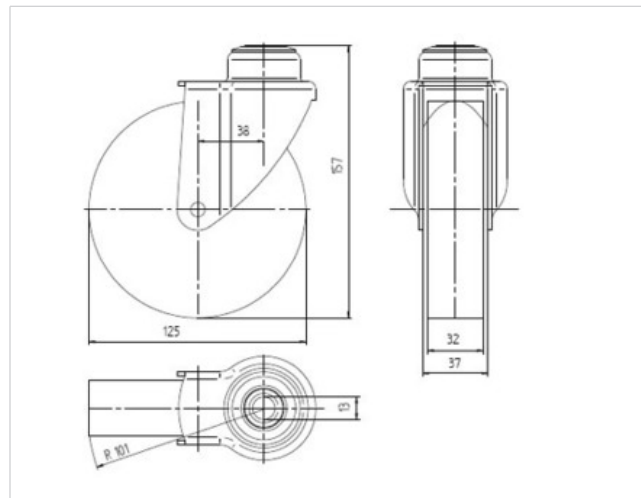
EAN 4031582336818

Swivel caster, housing made of pressed steel, bright zinc plated, blue passivated, precision ball bearing in swivel head, with PU cover, wheel axle with nut. Wheel center made of Polypropylene, Tread: TENTEprene (thermoplastic rubber), grey non-marking, precision ball bearing, bolt hole

Technical Data

Wheel diameter	125 mm
Tread width	32 mm
Center hole	13 mm
Offset	38 mm
Swivel Interference	201 mm
Overall height	157 mm
Temperature	- 20 / + 60 °C
Standard	EN 12530
Weight	0.598 kg
Load capacity (dynamic)	100 kg
Load capacity (static)	200 kg
Swivel Radius	100.5 mm
Hardness of tread	A 87 Shore

Roll performance	+	+	+	+	+
Movement noise	+	+	+	+	+
Attrition	+	+	+	+	+
Corrosion resistance	+	+	+	+	+



Product Information



2340PJP125P30

EAN 4031582336818

