

Product Information



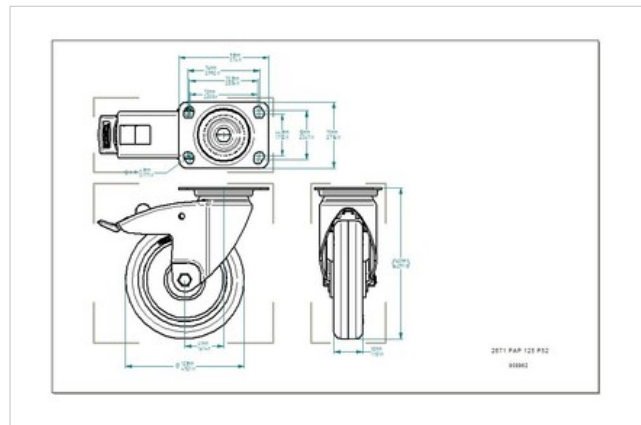
2671PAP125P52-95x70

Swivel caster with directional lock, housing made of pressed steel, bright zinc plated, blue passivated, double ball bearing swivel head. Wheel center made of Polypropylene, Tread: Polyurethane, precision ball bearing, plate fitting



Technical Data

| | |
|-------------------------|-----------------|
| Wheel diameter | 125 mm |
| Tread width | 30 mm |
| Plate size | 95 x 70 mm |
| Plate hole centers | 44,45 x 76,2 mm |
| Plate hole | 8 mm |
| Offset | 41 mm |
| Swivel Interference | 207 mm |
| Overall height | 160 mm |
| Temperature | - 20 / + 60 °C |
| Standard | EN 12530 |
| Load capacity (dynamic) | 100 kg |
| Load capacity (static) | 200 kg |
| Hardness of tread | 95 - 100 Shore |



| | | | | | |
|----------------------|---|---|---|---|---|
| Roll performance | + | + | + | + | + |
| Movement noise | + | + | + | + | + |
| Attrition | + | + | + | + | + |
| Corrosion resistance | + | + | + | + | + |

