

# Product Information



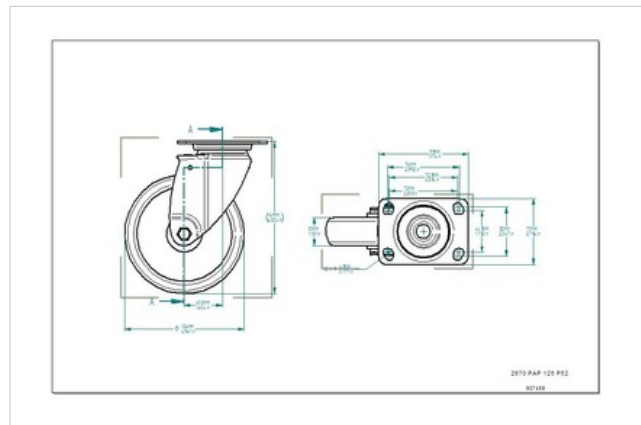
## 2670PAP125P52-95x70

Swivel caster, housing made of pressed steel, bright zinc plated, blue passivated, double ball bearing swivel head. Wheel center made of Polypropylene, Tread: Polyurethane, precision ball bearing, plate fitting



### Technical Data

Wheel diameter	125 mm
Tread width	30 mm
Plate size	95 x 70 mm
Plate hole centers	44,45 x 76,2 mm
Plate hole	8 mm
Offset	41 mm
Swivel Interference	207 mm
Overall height	160 mm
Temperature	- 20 / + 60 °C
Standard	EN 12530
Load capacity (dynamic)	100 kg
Load capacity (static)	200 kg
Swivel Radius	103.5 mm
Hardness of tread	95 -100 Shore



Roll performance	+	+	+	+	+
Movement noise	+	+	+	+	+
Attrition	+	+	+	+	+
Corrosion resistance	+	+	+	+	+

