

Product Information



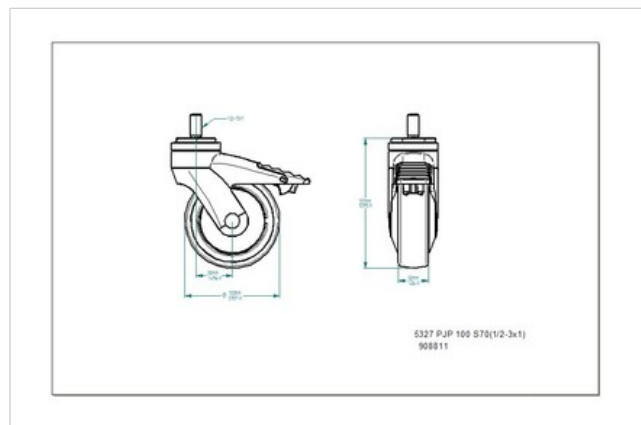
5327PJP100S70-1/2-13x1

Swivel caster with total lock, trailing end of caster, housing and wheels made from high grade synthetic materials, with integrated threadguards. Wheel center made of Polypropylene, Tread: TENTEprene (thermoplastic rubber), grey non-marking, precision ball bearing, with threadguards, threaded stem with hex neck

Please read the assembly instructions in the service area of the TENTE website. **Hint:** These casters are available with grey locking lever.



Technical Data	
Wheel diameter	100 mm
Tread width	32 mm
Threaded stem	1/2 - 13 x 1 mm
Offset	37 mm
Swivel Interference	199 mm
Overall height	137 mm
Temperature	- 10 / + 40 °C
Standard	EN 12530
Load capacity (dynamic)	100 kg
Load capacity (static)	200 kg
Hardness of tread	A 87 Shore



Roll performance	+	+	+	+	+
Movement noise	+	+	+	+	+
Attrition	+	+	+	+	+
Corrosion resistance	+	+	+	+	+



Product Information



5327PJP100S70-1/2-13x1

