

Product Information

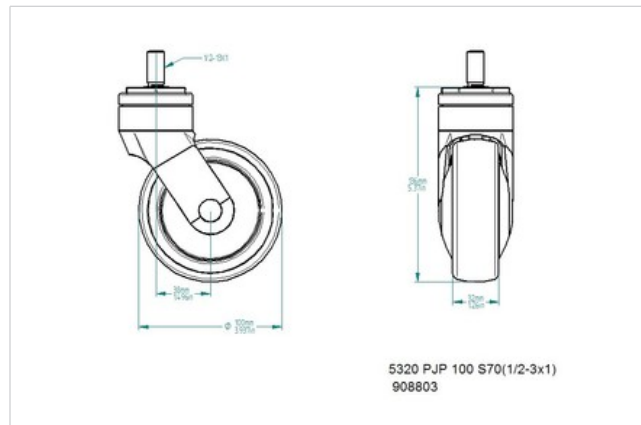


5320PJP100S70-1/2-13x1

Swivel caster, housing and wheels made from high grade synthetic materials, with integrated threadguards. Wheel center made of Polypropylene, Tread: TENTEprene (thermoplastic rubber), grey non-marking, precision ball bearing, with threadguards, threaded stem with hex neck
Please read the assembly instructions in the service area of the TENTE website.



Technical Data	
Wheel diameter	100 mm
Tread width	32 mm
Threaded stem	1/2 - 13 x 1 mm
Offset	37 mm
Swivel Interference	174 mm
Overall height	137 mm
Temperature	- 10 / + 40 °C
Standard	EN 12530
Load capacity (dynamic)	100 kg
Load capacity (static)	200 kg
Swivel Radius	87 mm
Hardness of tread	A 87 Shore



Roll performance	+	+	+	+	+
Movement noise	+	+	+	+	+
Attrition	+	+	+	+	+
Corrosion resistance	+	+	+	+	+



Product Information



5320PJP100S70-1/2-13x1

