

Product Information



AVIANA

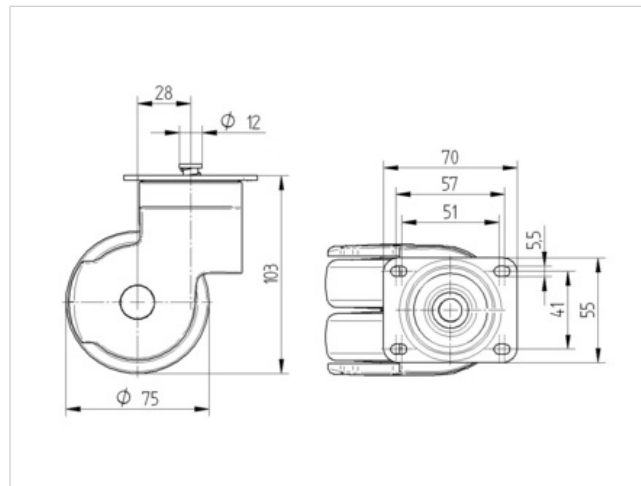
5976UAE075P54

EAN 4031582324648

Swivel caster with central lock, housing made of Polyamide, double ball bearing swivel head, upper ball race: stainless steel balls, lower ball race: balls of POM. Wheel center made of Polyamide, Tread: Polyurethane, with threadguards, cone ball bearing, plate fitting

Technical Data

Wheel diameter	75 mm
Tread width	25 mm
Plate size	70 x 55 mm
Plate hole centers	57/51 x 41 mm
Plate hole	5,5 mm
Offset	28 mm
Swivel Interference	131 mm
Overall height	103 mm
Temperature	- 10 / + 40 °C
Standard	EN 12530
Weight	0.507 kg
Load capacity (dynamic)	100 kg
Load capacity (static)	200 kg
Swivel Radius	65.5 mm
Hardness of tread	D 40 Shore



Roll performance	+	+	+	+	+
Movement noise	+	+	+	+	+
Attrition	+	+	+	+	+
Corrosion resistance	+	+	+	+	+



Product Information



AVIANA

5976UAE075P54

EAN 4031582324648

