

# Product Information



## 3472DVP200P63

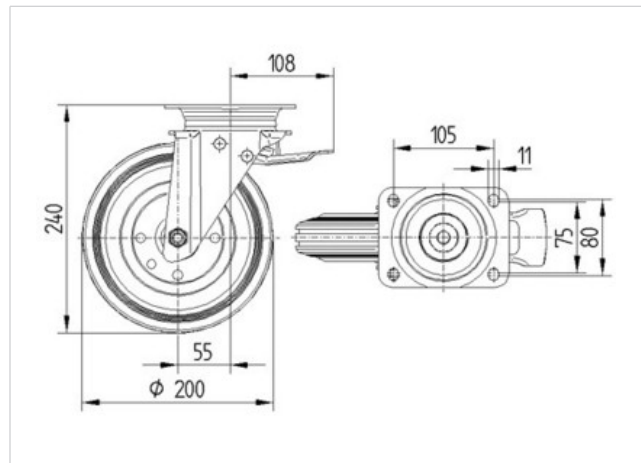
EAN 4031582324402

Swivel caster with total lock, leading end of caster, housing made of pressed steel, bright zinc plated, blue passivated, double ball bearing swivel head, wheel axle with nut, dustguard. Wheel center made of pressed steel, Tread: solid rubber, black, precision ball bearing, plate fitting

### Technical Data

Wheel diameter	200 mm
Tread width	50 mm
Plate size	137 x 105 mm
Plate hole centers	105 x 80/75 mm
Plate hole	11 mm
Offset	55 mm
Swivel Interference	310 mm
Overall height	240 mm
Temperature	- 20 / + 60 °C
Standard	EN 12532
Weight	3.515 kg
Load capacity (dynamic)	205 kg
Load capacity (static)	410 kg
Hardness of tread	A 85 Shore

Roll performance	+	+	+	+	+
Movement noise	+	+	+	+	+
Attrition	+	+	+	+	+
Corrosion resistance	+	+	+	+	+



# Product Information



## 3472DVP200P63

EAN 4031582324402

