

# Product Information



## INTEGRAL

### 2044UAP150R36-32S30

EAN 4031582300192

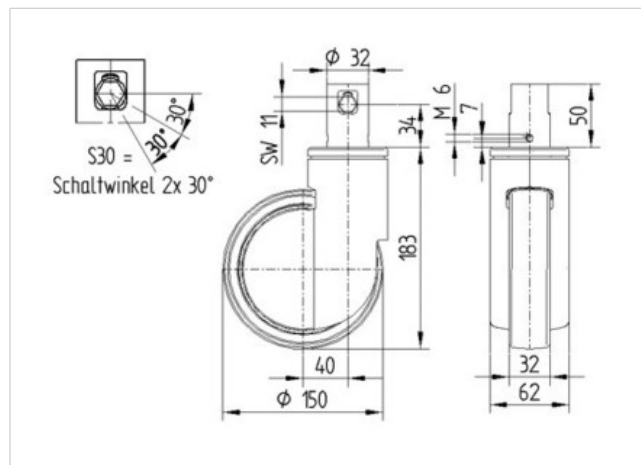
Swivel Caster with central, total or directional lock, Frame made of pressed steel, precision ball bearing in swivel head and wheel, housing cover made of synthetic plastic. Wheel center made of Polyamide, Tread: Polyurethane, precision ball bearing, stem with cam hole for profile bars, short version

**Hint:**TÜV Süd certified product.

#### Technical Data

Wheel diameter	150 mm
Tread width	32 mm
Bolt-Ø	32 mm
Bolt length	50 mm
Offset	40 mm
Swivel Interference	230 mm
Overall height	183 mm
Temperature	- 30 / + 80 °C
Standard	EN 12531
Weight	1.189 kg
Load capacity (dynamic)	150 kg
Load capacity (static)	300 kg
Swivel Radius	115 mm
Hardness of tread	D 40 Shore

Roll performance	+	+	+	+	+
Movement noise	+	+	+	+	+
Attrition	+	+	+	+	+
Corrosion resistance	+	+	+	+	+



# Product Information



## INTEGRAL

**2044UAP150R36-32S30**

EAN 4031582300192

