

Product Information



2470DIK150R07-Ø27-30

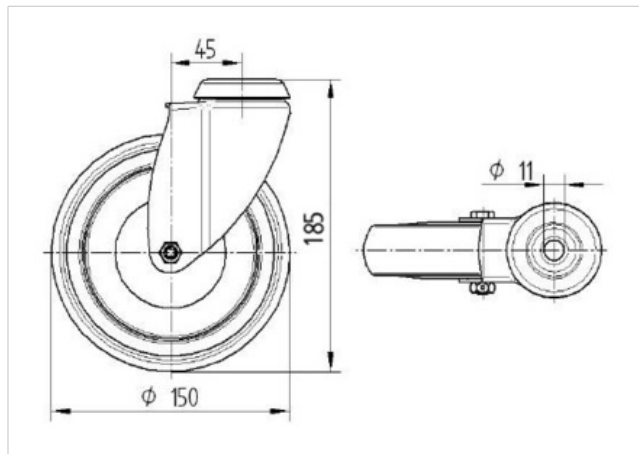
EAN 4031582328448

Swivel caster, housing made of pressed steel, bright zinc plated, blue passivated, double ball bearing swivel head, wheel axle with nut. Wheel center made of pressed steel, Tread: solid rubber, grey non-marking, with threadguards, cone ball bearing, Expandable fittings, round
Please indicate required tube diameter when ordering.

Technical Data

Wheel diameter	150 mm
Tread width	32 mm
Expandable fitting-Ø	27 - 30 mm
Offset	45 mm
Swivel Interference	240 mm
Overall height	188 mm
Temperature	- 20 / + 85 °C
Standard	EN 12530
Load capacity (dynamic)	100 kg
Load capacity (static)	200 kg
Swivel Radius	120 mm
Hardness of tread	A 80 Shore

Roll performance	+	+	+	+	+
Movement noise	+	+	+	+	+
Attrition	+	+	+	+	+
Corrosion resistance	+	+	+	+	+



Product Information



2470DIK150R07-Ø27-30

EAN 4031582328448

