

# Product Information



## MOP200x80-Ø40

EAN 4031582320060

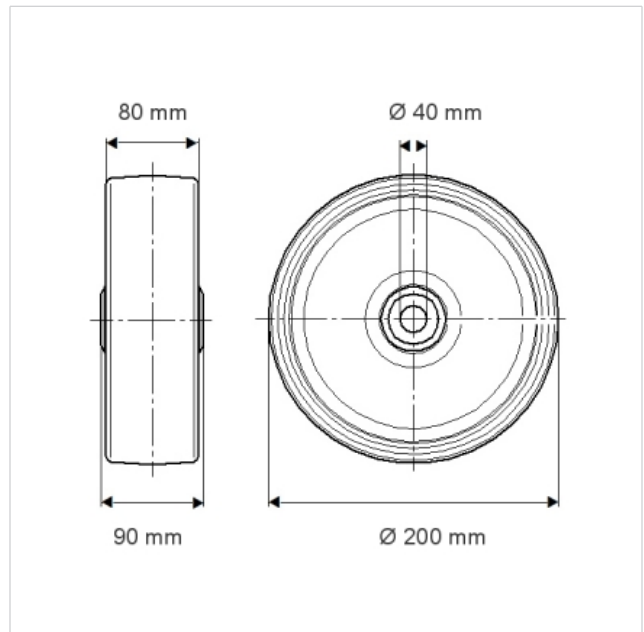
Wheel center made of Polyamide, extra-heavy duty model, precision ball bearing

### Technical Data

Wheel diameter	200 mm
Tread width	80 mm
Axle Hole-Ø	40 mm
Hub length	90 mm
Temperature	- 40 / + 80 °C
Standard	EN 12533
Weight	3.785 kg
Load capacity (dynamic)	4500 kg
Load capacity (static)	9000 kg
Hardness of tread	D 75 Shore
Bearing	6308 No.



Roll performance	+	+	+	+	+
Movement noise	+	+	+	+	+
Attrition	+	+	+	+	+
Corrosion resistance	+	+	+	+	+



# Product Information



## MOP200x80-Ø40

EAN 4031582320060

