

Product Information



3478UFR200P63

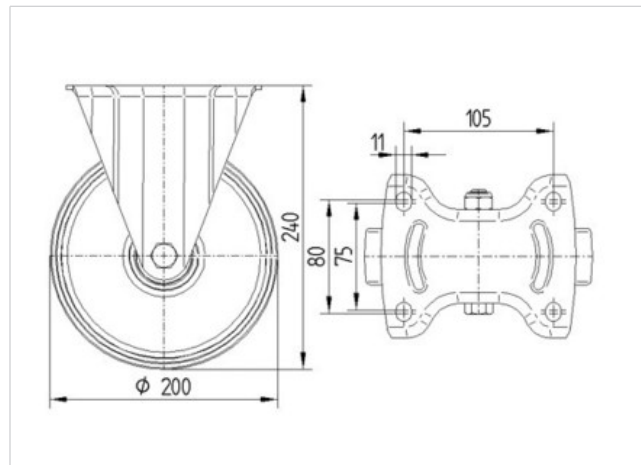
EAN 4031582307009

Fixed caster, Fork made of pressed steel, bright zinc plated, blue passivated, wheel axle with nut, Wheel center made of Polyamide, Tread: elastic-tire, non-marking, roller bearing, plate fitting

Technical Data

Wheel diameter	200 mm
Tread width	46 mm
Plate size	137 x 115 mm
Plate hole centers	105 x 80/75 mm
Plate hole	11 mm
Overall height	240 mm
Temperature	- 20 / + 80 °C
Standard	EN 12532
Weight	2.251 kg
Load capacity (dynamic)	400 kg
Load capacity (static)	800 kg
Hardness of tread	A 64 Shore

Roll performance	+	+	+	+	+
Movement noise	+	+	+	+	+
Attrition	+	+	+	+	+
Corrosion resistance	+	+	+	+	+



Product Information



3478UFR200P63

EAN 4031582307009

