

Product Information



3477UFR200P63

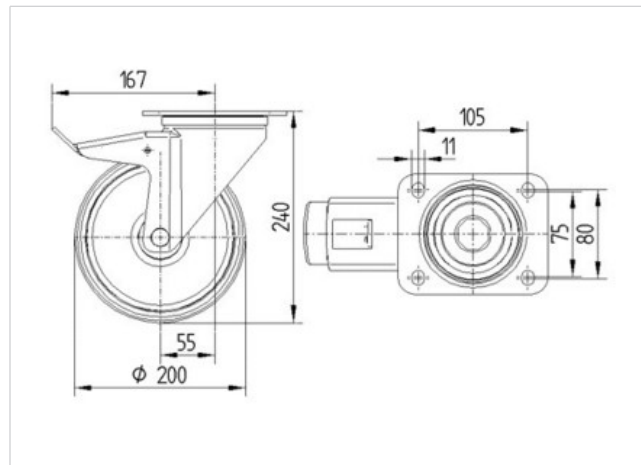
EAN 4031582305975

Swivel caster with total lock, trailing end of caster, housing made of pressed steel, bright zinc plated, blue passivated, double ball bearing swivel head, wheel axle with nut, dustguard. Wheel center made of Polyamide, Tread: elastic-tire, non-marking, roller bearing, plate fitting



Technical Data

Wheel diameter	200 mm
Tread width	46 mm
Plate size	137 x 105 mm
Plate hole centers	105 x 80/75 mm
Plate hole	11 mm
Offset	55 mm
Swivel Interference	334 mm
Overall height	240 mm
Temperature	- 20 / + 80 °C
Standard	EN 12532
Weight	2.991 kg
Load capacity (dynamic)	400 kg
Load capacity (static)	800 kg
Swivel Radius	167 mm
Hardness of tread	A 64 Shore



Roll performance	+	+	+	+	+
Movement noise	+	+	+	+	+
Attrition	+	+	+	+	+
Corrosion resistance	+	+	+	+	+

Product Information



3477UFR200P63

EAN 4031582305975

