

Product Information



3477DIJ160P63

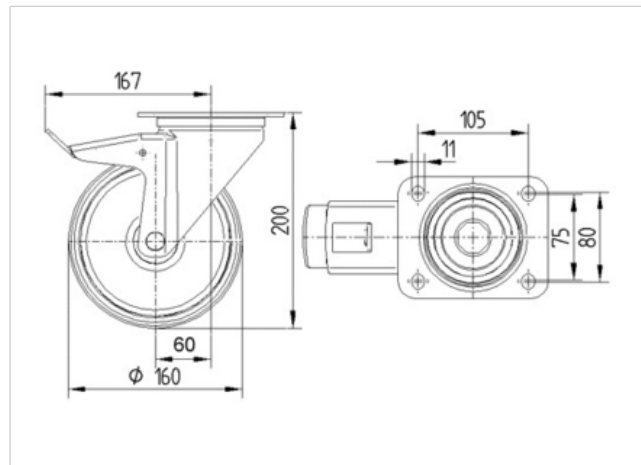
EAN 4031582305050

Swivel caster with total lock, trailing end of caster, housing made of pressed steel, bright zinc plated, blue passivated, double ball bearing swivel head, wheel axle with nut, dustguard. Wheel center made of pressed steel, Tread: solid rubber, grey non-marking, with threadguards, roller bearing, plate fitting



Technical Data

Wheel diameter	160 mm
Tread width	40 mm
Plate size	137 x 105 mm
Plate hole centers	105 x 80/75 mm
Plate hole	11 mm
Offset	60 mm
Swivel Interference	334 mm
Overall height	200 mm
Temperature	- 20 / + 60 °C
Standard	EN 12532
Weight	2.769 kg
Load capacity (dynamic)	135 kg
Load capacity (static)	270 kg
Swivel Radius	167 mm
Hardness of tread	A 80 Shore



Roll performance	+	+	+	+	+
Movement noise	+	+	+	+	+
Attrition	+	+	+	+	+
Corrosion resistance	+	+	+	+	+

Product Information



3477DIJ160P63

EAN 4031582305050

