

Product Information



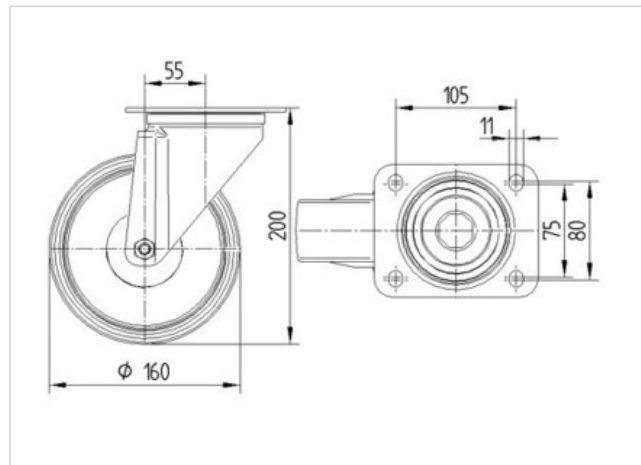
3470DIJ160P63

EAN 4031582303377

Swivel caster, housing made of pressed steel, bright zinc plated, blue passivated, double ball bearing swivel head, wheel axle with nut, dustguard, yellow chromated plate. Wheel center made of pressed steel, Tread: solid rubber, grey non-marking, with threadguards, roller bearing, plate fitting

Technical Data

Wheel diameter	160 mm
Tread width	40 mm
Plate size	137 x 105 mm
Plate hole centers	105 x 80/75 mm
Plate hole	11 mm
Offset	55 mm
Swivel Interference	270 mm
Overall height	200 mm
Temperature	- 20 / + 60 °C
Standard	EN 12532
Weight	2.41 kg
Load capacity (dynamic)	135 kg
Load capacity (static)	270 kg
Swivel Radius	135 mm
Hardness of tread	A 80 Shore



Roll performance	+	+	+	+	+
Movement noise	+	+	+	+	+
Attrition	+	+	+	+	+
Corrosion resistance	+	+	+	+	+

Product Information



3470DIJ160P63

EAN 4031582303377

