

Product Information



2970PJP075P30

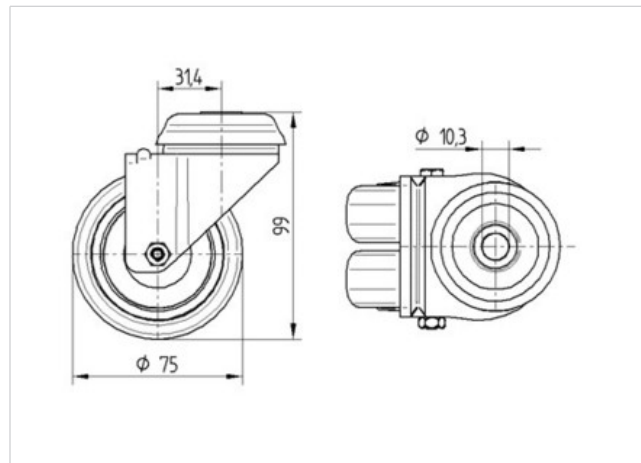
EAN 4031582302721

Swivel caster, housing made of pressed steel, bright zinc plated, blue passivated, double ball bearing swivel head, wheel axle with nut. Wheel center made of Polypropylene, Tread: TENTEprene (thermoplastic rubber), grey non-marking, precision ball bearing, with threadguards, bolt hole

Technical Data

Wheel diameter	75 mm
Tread width	25 mm
Center hole	10 mm
Offset	31.4 mm
Swivel Interference	137.8 mm
Overall height	99 mm
Temperature	- 20 / + 60 °C
Standard	EN 12530
Weight	0.541 kg
Load capacity (dynamic)	100 kg
Load capacity (static)	200 kg
Swivel Radius	68.9 mm
Hardness of tread	A 87 Shore

Roll performance	+	+	+	+	+
Movement noise	+	+	+	+	+
Attrition	+	+	+	+	+
Corrosion resistance	+	+	+	+	+



Product Information



2970PJP075P30

EAN 4031582302721

