

Product Information



2976PJH075P54

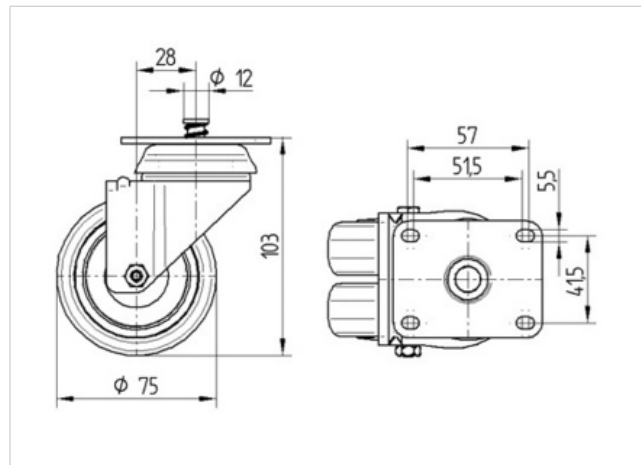
EAN 4031582302875

Swivel caster with central lock, housing made of pressed steel, bright zinc plated, blue passivated, double ball bearing swivel head, wheel axle with nut, Stainless Steel balls. Wheel center made of Polypropylene, Tread: TENTEprene (thermoplastic rubber), grey non-marking, with threadguards, plain bearing, plate fitting



Technical Data

Wheel diameter	75 mm
Tread width	25 mm
Plate size	70 x 55 mm
Plate hole centers	57/51 x 41 mm
Plate hole	5,5 mm
Offset	28 mm
Swivel Interference	131 mm
Overall height	103 mm
Temperature	- 20 / + 60 °C
Standard	EN 12530
Weight	0.578 kg
Load capacity (dynamic)	100 kg
Load capacity (static)	200 kg
Swivel Radius	65.5 mm
Hardness of tread	A 87 Shore



Roll performance	+	+	+	+	+
Movement noise	+	+	+	+	+
Attrition	+	+	+	+	+
Corrosion resistance	+	+	+	+	+

Product Information



2976PJH075P54

EAN 4031582302875

